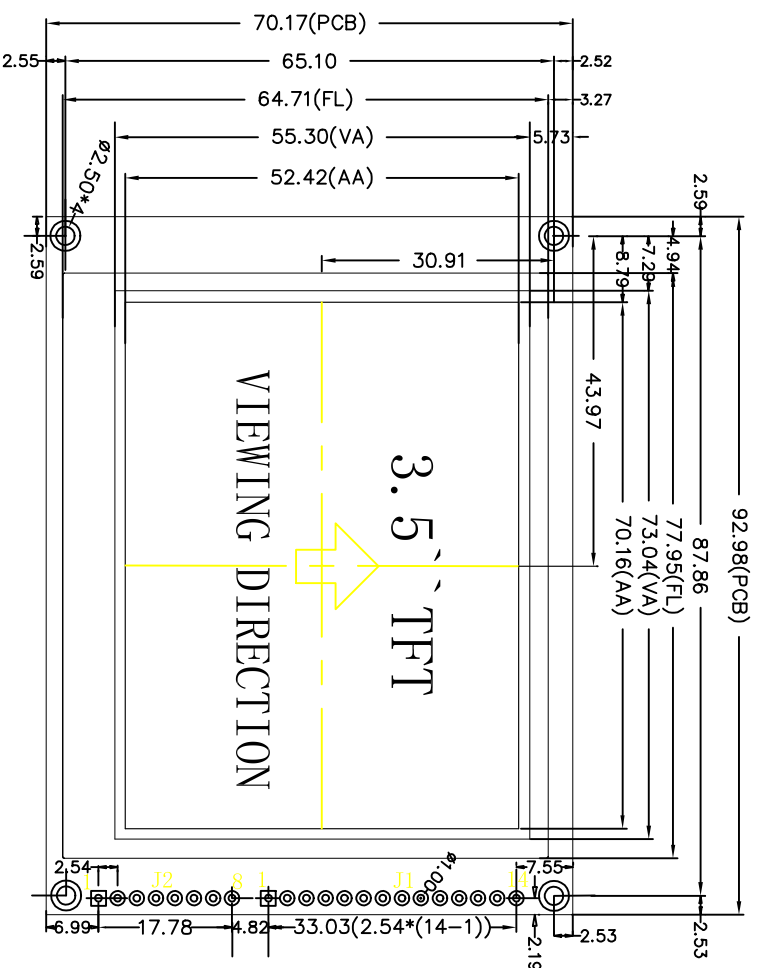


Customer approval :



NO.	SYMBOL
1	GND
2	VCC
3	SCS#
4	SCLK
5	SD
6	SD1
7	RST
8	INT
9	DISP OFF
10	RTP-CLK
11	RTP-CS
12	RTP-DIN
13	RTP-DOU
14	RTP-IRQ

J2(FLASH)

PIN	1	2	3	4	5	6	7	8
CONNECTION	SFCS0	SFCSI	SFDI	SFDO	SFCLK	VCC	GND	RST

Specification:

- 1). Driving:VDD:3.3V 80mA
- 2). Viewing direction: 6 o'clock
- 3). Display mode: TFT 320(RGB)*240
- 3). Operating temp.: -10°C~+60°C
- 4). Storage temp.: -20°C~+70°C
- 5). Control IC: TC76680
- 6). BACKLIGHT :VBL:3.3V IBL:130mA 300cd/m²
- 7). All the raw materials are RoHS compliant
- 8). Interface:SPI



深圳市三元晶科技有限公司
ShenZhen TCCLCD Hi-Tech Co., Ltd.

REV	REVISION RECORD	DATE	MODEL NO.	SYC320240E035V30-3CG4A1N2R-B2NC	GENERAL TOL.
A	FIRST ISSUE	2018/08/13	模组型号		± 0.25
B			审核		
C			检查		
D			审核		

